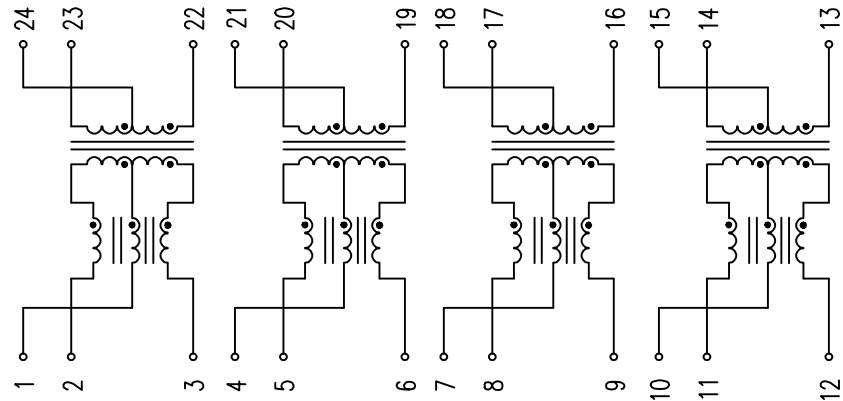


SUGGESTED PAD LAYOUT

UNLESS OTHERWISE SPECIFIED ALL TOLERANCES ARE ±0.25mm



* RoHS COMPLIANT

ELECTRICAL CHARACTERISTICS 25°C:

- INSULATION HI-POT : 1500Vrms / 1mA / 60Sec.
- TURN RATIO (±5%) : 1CT : 1CT
- OCL : 350uH MIN. 8mA/DC Bias
- CROSS TALK (dB MIN.) : 1-100MHz = -30dB MIN.
- INSERTION LOSS (1MHz -100MHz) : -1.1dB MAX.
- RETURN LOSS (dB MIN. @100Ω) :

1-30MHz	40MHz	50MHz	60-80MHz	100MHz
-18	-14.4	-13.1	-12	-8
- DIFFERENTIAL TO COMMON MODE REJECTION (dB MIN.) : 1-100MHz = -30dB MIN.
- DCR : 1.2Ω MAX.
- LEAKAGE INDUCTANCE (@100kHz, 0.1Vrms) : 0.5uH MAX.
- OPERATING TEMPERATURE : 0°C~+70°C
STORAGE TEMPERATURE : -40°C to +125°C

IEEE802.3af compliant performance

							TITLE 100 /1000 BASE-TX TRANSFORMER	
							DWG. NO. ATPL-310R	
RELEASE		09/28/2018	SHIRLEY	BETTY	BETTY	UNITS: M/M	SAFETY	SHEET 1 of 1
NO:	DESCRIPTION	DATE	BY	CHK	APPD	DATE	P/N:	DRAW
REVISIONS						09/28/18		SHIRLEY